

Technical data sheet

Product features



Bain marie trolley electric GN 3-1/1 heated cupboard controllers on shorter side

Model	SAP Code	00008659
--------------	-----------------	----------



- Drain: Yes
- Material: AISI 304 top plate, AISI 430 cladding
- Protection of controls: IPX4
- Maximum device temperature [°C]: 90

SAP Code	00008659	Power electric [kW]	2.900
Net Width [mm]	598	Loading	230 V / 1N - 50 Hz
Net Depth [mm]	1254	Number of GN / EN	3
Net Height [mm]	905	GN / EN size in device	GN 1/1
Net Weight [kg]	103.00	GN device depth	200

Technical data sheet

Technical drawing

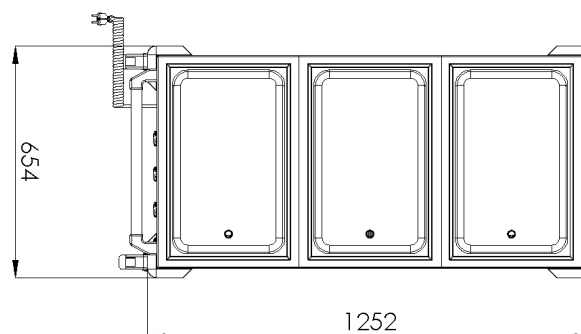
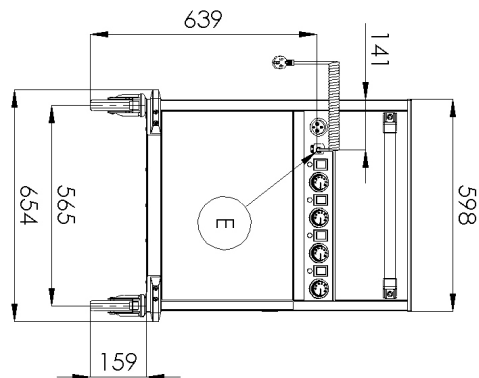
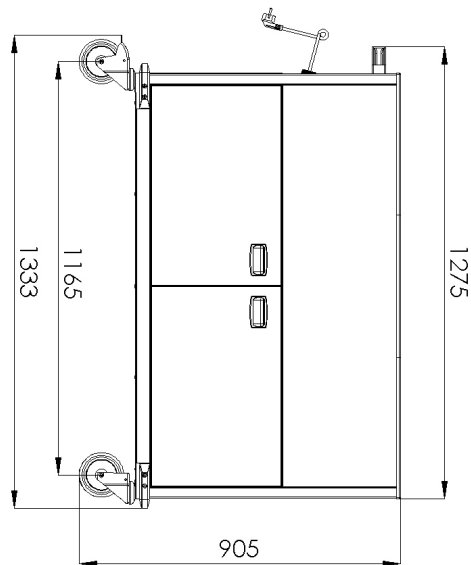


Bain marie trolley electric GN 3-1/1 heated cupboard controllers on shorter side

Model

SAP Code

00008659



Technical data sheet

Product benefits



Bain marie trolley electric GN 3-1/1 heated cupboard controllers on shorter side

Model	SAP Code	00008659
--------------	-----------------	----------

- 1 Deep-draft bathtubs**
basins without sharp transitions, edges and corners
 - easy maintenance
 - perfect sanitation
- 2 Controlling each bath separately**
variability of use
 - possibility to keep different foods at different temperatures
- 3 All-stainless steel construction**
harmless to health for contact with food
robustness
 - perfect sanitation
 - long service life
- 4 Heated substructure**
possibility to store and heat plates
 - space saving
 - no need for an extra rack
- 5 Drain valve under the bathtub**
safer placement of the drain valve
 - valve positioning prevents unintentional contact and possible scalding
- 6 Handrail**
handle made of robust stainless steel tube
possibility of placement on the shorter or longer side
 - easy handling of the dispensing tub
- 7 Braked wheels**
easier handling
 - more comfort for the operator
 - safety
 - stability

Technical data sheet

Technical parameters



Bain marie trolley electric GN 3-1/1 heated cupboard controllers on shorter side

Model

SAP Code

00008659

1. SAP Code:

00008659

2. Net Width [mm]:

598

3. Net Depth [mm]:

1254

4. Net Height [mm]:

905

5. Net Weight [kg]:

103.00

6. Gross Width [mm]:

755

7. Gross depth [mm]:

1310

8. Gross Height [mm]:

1010

9. Gross Weight [kg]:

112.00

10. Device type:

Electric unit

11. Construction type of device:

On wheels

12. Power electric [kW]:

2.900

13. Loading:

230 V / 1N - 50 Hz

14. Protection of controls:

IPX4

15. Exterior color of the device:

Stainless steel

16. Material:

AISI 304 top plate, AISI 430 cladding

17. Maximum device temperature [°C]:

90

18. Minimum device temperature [°C]:

30

19. Adjustable feet:

No

20. Drain:

Yes

21. Number of GN / EN:

3

22. GN / EN size in device:

GN 1/1

23. GN device depth:

200